

W SERIES

W2

Premium Quality All-Weather/All-Purpose
Installation Loudspeakers



Weather Environmental Technology = WET

Operation and Installation Manual



Introduction

Thank you for selecting Community's W SERIES W2 premium all-weather/all-purpose installation loudspeakers. WET is an acronym standing for Weather Environmental Technology, which describes one of the main design goals of this product line.

W2 products are built using unique weather-resistant materials that can survive sustained exposure to harsh climatic conditions. In addition to weather-resistance, these materials also possess favorable acoustical properties. The result is a line of loudspeaker products that not only performs consistently in tough, problematic environments, but also provides superlative acoustic performance, typically associated only with high fidelity "indoor" loudspeakers.

The EU Statement of Conformity

The authorized declaration and compatibility certification resides with the manufacturer and can be viewed upon request. The responsible manufacturer is the company:

Community Light & Sound
333 East Fifth Street
Chester, PA 19013-4511 USA
communitypro.com email: info@communitypro.com
TEL: 1-610 876-3400 FAX: 1-610 874-0190

Unpacking and Inspection

W2 loudspeakers are inherently rugged and are carefully packed in well-designed cartons. However, it is wise to thoroughly inspect each unit after it has been removed from the packaging, as damage could occur during shipping.

Please note that once the shipment has left your dealer or the Community factory, the responsibility for damage is always borne by the freight company. If damage has occurred during shipping, you must file a claim directly with the freight company. It is very important to contact the freight company as soon as possible after receiving your shipment, as most freight companies have a short time limit within which they will investigate claims. Make sure to save the carton and the packing material, as most claims will be denied if these materials are not retained. Your Community dealer and the factory will try to help in any way they can, but it is the responsibility of the party receiving the shipment to file the damage claim.

It is always a good idea to retain the carton and packing materials, if possible, in the event that the unit may need to be returned to your dealer or distributor for repair in the future.

Each shipping carton contains the following items:

- Loudspeaker System (Qty 1)
- Information packet with Operation and Installation Manual (Qty 1)
- Mounting Yoke for W2-218, W2-228 and W2-2W8 models only (Qty 1)

FIND THE LATEST ONLINE

Every effort has been made to ensure that the information contained in this manual was complete and accurate at the time of printing. However, due to ongoing technical advances, changes or modifications may have occurred that are not covered in this publication. The latest version of this manual and the most recent product information published by Community is always available at <http://www.communitypro.com>. The publication date can be found on the rear cover or last page.

W2 Loudspeaker Systems from Community

The W2 models from Community combines all of WET's original weather-defying characteristics with improved styling and technology. W2 models are entirely constructed of corrosion-resistant materials like fiberglass, stainless steel, polyimide and carbon fiber, using sophisticated technologies to ensure they will withstand exposure to harsh environmental conditions.

W2 loudspeakers have been designed to be highly weather-resistant. W2 enclosures are fabricated entirely of hand-laminated fiberglass, making it virtually impervious to weather-related effects. The drivers and their diaphragms are made of highly weather-resistant materials, as in the case of the mid and high frequency drivers, or are treated to repel moisture, as in the case of the low frequency drivers. All external hardware on the loudspeaker is stainless steel. The three-layer Weather-Stop™ grille is acoustically transparent but highly resistant to moisture intrusion. The crossover is located within a sealed chamber that forms the enclosure for the low frequency drivers. A weather-tight gland nut provides a seal for the input cable. The input cable is a type SJOW with neoprene insulation which is resistant to weather and UV effects.

W2 products offer a wide range of power levels, frequency response capability, and directional pattern control. The W2 product line consists of a basic complement of six sizes of loudspeaker enclosures with multiple dispersion patterns available in three of size formats.

The models in this range include:

- The W2-218 compact two-way, 8-inch full-range system
- The W2-228 quasi three-way, 8-inch full-range system
- The W2-2W8 compact two-way, dual 8-inch, fill loudspeaker with ultra-wide 120° HF pattern control
- The W2-312 three-way, 12" full-range system
- The W2-112 single 12" subwoofer system
- The W2-122 dual 12" subwoofer system
- The W2-125 dual 15" subwoofer system

W2 features greater precision and tighter tolerance fit. Frequency dividing networks have been fine-tuned for improved acoustical linearity. Plus, a low-loss, low-distortion 200 Watt high fidelity autoformer has been developed and is optionally available for 70V/100V applications in the W2-218, W2-228 and W2-2W8.

While handling outdoor applications with ease, the elegant styling of W2 makes them suitable for many indoor applications as well. All W2 systems are available in standard black or white fiberglass finishes, with an enclosure-matching black or white marine-grade grille finished with Community's powder-coating process. White W2 enclosures include matching white grilles, white bezels, white gland nuts, and white cable, making them perfect for cruise ships, clubs or residential applications. Custom color exteriors are also possible at a nominal fee.

A black or white powder-coated stainless steel mounting bracket is included with smaller models W2-218, W2-228 and W2-2W8, while optional mounting accessories are available for the larger full-range and subwoofer systems. W2 models are protected by a five-year product warranty plus a fifteen-year enclosure warranty. W2 loudspeakers are flexible, easy to install and most importantly, they provide unparalleled sound quality. They are designed to withstand sustained use under severe climatic conditions, functioning year after year in even the harshest environments.

This manual is intended to help you install and use W2 loudspeakers safely and effectively. It provides useful information to help you obtain the best performance, sound quality, and reliability from your W2 systems. We have provided a series of Quick-Start diagrams to enable you to install and operate the products immediately if required; however, we recommend that you read this manual in its entirety, to help insure that your W2 installation meets the highest possible standards. While every attempt has been made to ensure this information is correct and up-to-date, Community continuously incorporates worthwhile improvements to each product, which may include changes and/or modifications not contained in this manual.

Important Safety Information

Always follow these basic safety precautions when installing and using W2 loudspeakers and accessories:

- Read and keep these instructions.
- Heed all warnings.
- Follow all instructions particularly those pertaining to rigging, mounting, hanging, or suspending the products, and all information pertaining to electrical connections.
- Only use accessories that are specified and approved by the manufacturer.

The terms CAUTION, WARNING, and DANGER are used throughout this manual to alert the reader to important safety considerations. If you have any questions or do not understand the meaning of these terms, do not proceed with installation. Contact your local dealer, distributor, or call Community directly for assistance. These terms are defined below:



CAUTION: describes an operating condition or user action that may expose the equipment or user to potential damage or danger.



WARNING: describes an operating condition or user action that will likely cause damage to the equipment or injury to the user or to others in the vicinity.



DANGER: describes an operating condition or user action that will immediately damage the equipment and/or be extremely dangerous or life threatening to the user or to others in the vicinity.

Precautions & Safety Considerations

English - The loudspeakers described in this manual are designed and intended to be 'flown' or suspended for maximum acoustical performance using a variety of rigging hardware, means, and methods. It is essential that all installation work involving the suspension of these loudspeaker products be performed by competent, knowledgeable persons who understand safe rigging practices. Severe injury and/or loss of life may occur if these products are improperly installed. Please read the section on rigging for additional information.

Français - Les haut-parleurs décrits dans ce manuel sont conçus et sont projetés pour être 'volé' ou suspendu pour l'exécution acoustique maximum utilisant une assortiment d'équiper matériel, les moyens, et les méthodes. C'est essentiel que tout travail d'installation ait impliqué la suspension de ces produits d'haut-parleur est exécutée par les personnes compétentes et entraînées qui comprennent équiper les pratiques sûres. La perte sévère de et/ou de blessure de vie peut arriver si ces produits sont incorrectement installés. S'il vous plaît lire la section d'équiper pour l'information supplémentaire.

Deutsch - Die Lautsprecher, die in diesem Handbuch beschrieben werden, sind entworfen und sind zu sein 'geflogen' vorgehabt oder sind für maximale hörbare Leistung verschiedene Manipulierenhardware, Mittel, und Methoden suspendiert benutzend. Es ist wesentlich, dass alle Installationarbeit, die die Aufhängung von diesen Lautsprecherprodukten verwickelt, von fähigen, ausgebildeten Personen durchgeführt werde, die sichere Manipulierenpraxis verstehen. Schwere Verletzung bzw. Verlust des Lebens können stattfinden, wenn diese Produkte unrichtig installiert sind. Bitte lesen Sie den Abschnitt über Manipulieren für zusätzliche Informationen.

Italiano - Gli altoparlanti descritti in questo manuale sono disegnati e sono intesi essere 'volato' o sospeso per la prestazione massima acustica usando una varietà di attrezzature di hardware, i mezzi, ed i metodi. È essenziale che tutta il lavoro di installazione coinvolgendo la sospensione di questi prodotti di altoparlante è eseguita da dalle persone competenti, addestrate che capisce le pratiche di attrezzature di cassaforte. La lesione severa e/o la perdita di vita possono accadere se questi prodotti sono erratamente installati. Per favore di leggere la sezione di attrezzature per le ulteriori informazioni.

Español - Los altavoces descritos en este manual se diseñan y son pensados ser 'volado' o suspendido para el desempeño acústico máximo que utiliza una variedad de aparejar hardware, de medios, y de los métodos. Es esencial que todo trabajo de la instalación que implique la suspensión de estos productos del altavoz sea realizado por personas competentes y entrenada que entienden aparejar seguro las prácticas. La herida y/o la pérdida severas de la vida pueden ocurrir si estos productos se instalan impropriamente. Lea por favor la sección a aparejar para la información adicional.

Important Note – Mounting/Rigging Provisions

The mounting/rigging points found on the sides and back of the enclosure must either be used for mounting hardware or “plugged” with the bolts and washers provided. The rubber washer provides the water seal and must be used. The reason for this is that if all these holes are not plugged up, they created leaks in the enclosure that will compromise its weather-resistance. Open holes will also be detrimental to low frequency performance with reduced output and/or distortion.



DANGER: All rigging fittings must be fitted with either optional mounting hardware or they must remain sealed with the Stainless Steel hex-head bolts that come installed in the enclosure, in order to maintain weather resistance. Additionally, if the rigging fittings are not sealed, air leaks could occur in the enclosure that will compromise the low frequency performance with added distortion and reduced output.



WARNING: W2 rigging fittings are rated at a Working Load Limit of 150 lbs (68 kg) per point. No single rigging fitting should ever be subjected to a load that is greater than 150 lbs. Failure to heed this warning could result in injury or death!

W2 Features and Technology

In addition to extreme weather-resistance, W2 loudspeakers offer numerous features and advances in technology that provide unprecedented sonic quality and installation flexibility. Some of these include:

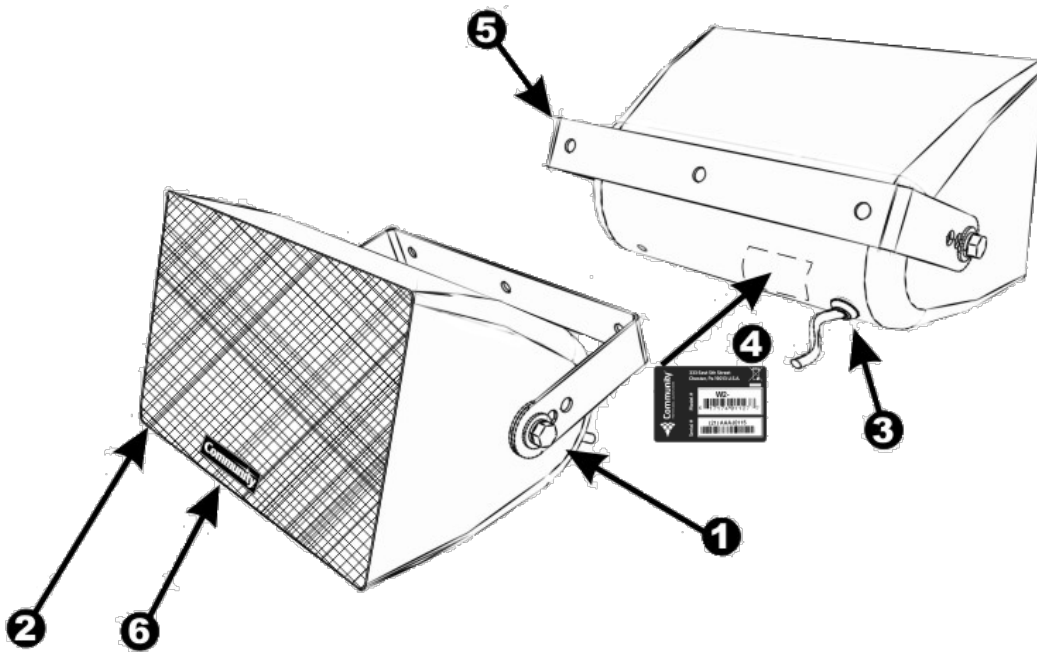
- Finely tuned internal crossover networks for reduced off-axis lobing, consistent coverage throughout the crossover region, and greater acoustic linearity.
- Uniform-voicing filters minimize sonic variations among the different models.
- Geometrically correct large-format hand-laid fiberglass mid and high frequency horns. A wide selection of dispersion patterns is available.
- Aesthetically pleasing, uniquely shaped curved fiberglass enclosures. The enclosure composition and the enclosure geometry work together to reduce internal reflections and standing waves, resulting in superior sound quality. Externally, the lack of flat surfaces minimizes water buildup.
- Envirotech coating seals crossovers against moisture.
- Stainless steel mounting points.
- Powder-coated stainless steel yoke brackets included with the four smaller models (W2-218, W2-228 and W2-2W8); and are available as optional accessory kits for larger models (W2-312, W2-112, W2-122 and W2-125).
- Optional internal 70V/100V autoformer available for the W2-218, W2-228, W2-2W8 and W2-312 for constant voltage distributed systems.
- All models are available in black or white finish at no additional charge. Custom colors are available at a nominal fee.

Getting Acquainted

Physical Features

Note: These drawings show the physical features of a W2-218 and a W2-312 enclosure. Other W2 enclosures may differ in size, shape, and number of mounting points.

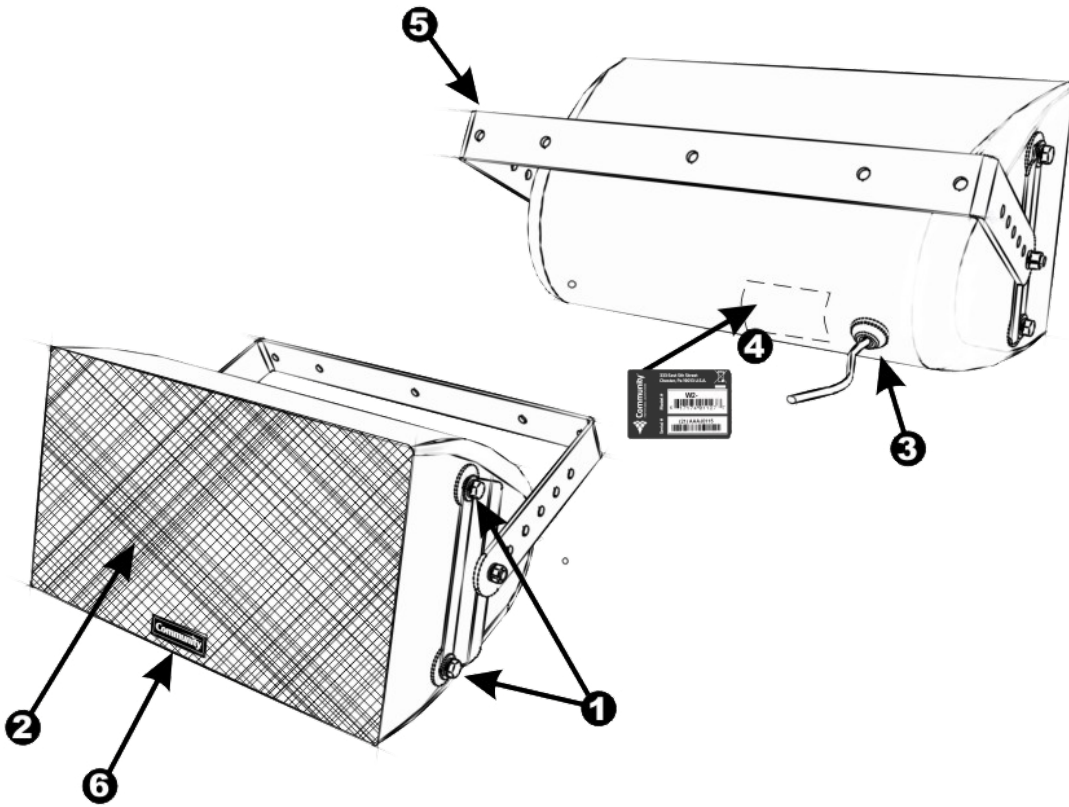
Figure 1a – Physical Features of a Typical Compact W2 Enclosure



NO.	FEATURE	DESCRIPTION
1	MOUNTING/RIGGING POINTS ¹	½"-13 captive zinc plated inserts with ½"-13 x 2" stainless steel bolts and lock, flat and rubber washers. Used for attaching the yoke mounting brackets or customer-supplied mounting system. Refer to the model's specification sheet for the number of mounting points at www.communitypro.com .
2	GRILLE	Powder-coated perforated marine-grade aluminum backed by reticulated foam and a UV-resistant layer of acoustically transparent fabric. Supplied mounted to front of enclosure.
3	INPUT CABLE	For signal connections to the loudspeaker. About 12 feet of 16-2 SJOW (or 18-gauge, 5-conductor, UV-resistant for 70V/100V models) retained by a factory-sealed gland nut.
4	PRODUCT LABEL	Model number, coverage pattern and serial number.
5	MOUNTING YOKE	The yoke shown is supplied with W2-218, W2-228 and W2-2W8.
6	NAMEPLATE	Community logo.

¹ 150 lbs (68 kg) Working Load Limit / 15:1 Safety Factor

Figure 1b - Physical Features of a Typical Large W2 Enclosure



NO.	FEATURE	DESCRIPTION
1	MOUNTING/RIGGING POINTS ²	½"-13 captive zinc plated inserts with ½"-13 x 2" stainless steel bolts and lock, flat and rubber washers. Used for attaching the yoke mounting brackets or customer-supplied mounting system. Refer to the model's specification sheet for the number of mounting points at www.communitypro.com .
2	GRILLE	Powder-coated perforated marine-grade aluminum backed by reticulated foam and a UV-resistant layer of acoustically transparent fabric. Supplied mounted to front of enclosure.
3	INPUT CABLE	For signal connections to the loudspeaker. About 12 feet of 16-2 SJOW (or 18-gauge, 5-conductor, UV-resistant for 70V/100V models) retained by a factory-sealed gland nut.
4	PRODUCT LABEL	Model number, coverage pattern and serial number.
5	MOUNTING YOKE	The yoke shown is an optional mounting kit (model SSY25KIT) sold separately for W2-312 and W2-112 that utilizes two metal plates in addition to a yoke bracket for added safety.
6	NAMEPLATE	Community logo.

² 150 lbs (68 kg) Working Load Limit / 15:1 Safety Factor

High-Pass Filters

We strongly recommend the use of an external, active high-pass filter to protect the cone drivers from excessive low frequency excursion. Additionally, a high-pass filter will avoid wasting amplifier by attempting to reproduce frequencies below the loudspeaker's intended operating range. The recommended filter settings are as follows:

Model	High-Pass Filter
W2-218	70 Hz, 24db/octave
W2-228	60 Hz, 24db/octave
W2-2W8	60 Hz, 24db/octave
W2-312	55 Hz, 24db/octave
W2-112	50 Hz, 24db/octave
W2-122	45 Hz, 24db/octave
W2-125	30 Hz, 24db/octave

Many modern DSP loudspeaker controllers or loudspeaker management devices can provide the required high-pass filter mentioned above, as well as general equalization to correct for room response problems, digital delay to correct for timing differences among multiple loudspeakers, as well as other DSP 'tools' that can help solve acoustic anomalies. Such devices can also be used as protective peak limiters to protect the system from damage, as further described below.

Connecting the Amplifier to the Loudspeaker

All W2 loudspeakers come with an attached input cable that is coated with an EPDM rubber jacket, twelve feet in length and colored to match the finish of the enclosure. The cable enters the enclosure through a waterproof gland nut. The other end of the cable is un-terminated.

A typical installation method is to bring the cable into a waterproof Junction Box equipped with a waterproof gland nut. Connections within the J-Box may be made with barrel-type crimp connectors, wire nuts, solder and heat-shrink, or terminal strips. We recommend using barrel-type crimp connectors that are crimped with a forged crimp tool (such as Klein 1005) or a ratcheting tool (such as Klein T1720), as this method, when properly executed, results in a gas-tight connection that is quick and easy to accomplish.



DANGER: When wiring the amplifier(s) to the loudspeaker(s), always power-down the amplifier(s) and disconnect its AC Mains plug(s). Many modern, high-power amplifiers can deliver enough voltage and current to cause a harmful or lethal electric shock. Shocks from very low frequencies, such as kick drums, can cause the human heart to stop beating at relatively low voltage levels.



WARNING: After wiring the amplifier(s) to the loudspeaker(s), first power-up all devices that are upstream of the amplifier, such as mixers, equalizers, compressor/limiters, etc., before powering-up the amplifier. This is to avoid passing any clicks or pops that may originate in the upstream devices to the loudspeakers. The amplifier should initially be powered-up with its gain controls turned all the way down. After making sure that a continuous signal is present, such as a CD playing, slowly raise the level of the gain controls to establish that the wiring has been installed correctly. Only then should the loudspeaker be operated at normal output levels.

IMPEDANCE AND COMBINING LOUDSPEAKERS

Loudspeakers of identical type may be wired together on the same amplifier. This forms a parallel circuit. When two loudspeakers are wired in parallel, the nominal impedance of the circuit will divide in half. For example, if two 8 ohm loudspeakers are wired in parallel, the result will be a 4 ohm load and the power from the amplifier will be divided equally between both. If four 8 ohm (or two 4 ohm) loudspeakers are wired in parallel, the result will be a 2 ohm load and again, the power will be divided equally among the loudspeakers.

If an uneven number of loudspeakers are wired in parallel, you can use the following formula to calculate the resultant impedance, where Z is the impedance in ohms: $1/Z + 1/Z + 1/Z = 1/Z_t = Z$.

Here is an example: $1/8 + 1/8 + 1/8 = 1/.375 = 2.666$ ohms.

UNEQUAL IMPEDANCES

It is important to note that when wiring loudspeakers of unequal impedances in a parallel circuit, the power will not be divided equally among each loudspeaker.

For example, if an 8 ohm and a 4 ohm loudspeaker are wired in parallel the resultant load will be 2.6 ohms. The 4 ohm loudspeaker will draw twice as much power from the amplifier than the 8 ohm loudspeaker. In this example, if the amplifier is capable of producing 1800 watts into the 2.6 ohm load of the paralleled loudspeakers, the 4 ohm loudspeaker will receive 1183 watts while the 8 ohm loudspeaker receives 591 watts.

KNOW YOUR AMPLIFIER

Not all amplifiers can safely drive loads below 4 ohms. Very low impedance loads may cause the amplifier to overheat which may lead to device failure. Even if the amplifier is quite stable driving a low impedance load, the cable loss will be greater, the damping factor is reduced, and if the amplifier were to fail, a larger portion of the sound system would be taken off-line. Note: Keeping the loads at 4 ohms or higher will lengthen the life of your amplifier(s), while improving the reliability and overall sound quality of your sound system.

70V and 100V Operation

USING POWER TAPS

A W2 loudspeaker equipped with an optional autoformer has four selectable power taps. These are set at 12.5W, 25W, 50W and 100W on the W2-218, and at 25W, 50W, 100W and 200W on the W2-228, the W2-2W8, and the W2-312 for 70V systems (note: for 100V systems the taps equal twice the numeric value stated above; i.e. a 25W tap becomes a 50W tap, and so on). Note that the autoformer has a maximum output capability of 200W regardless of the primary voltage.

By choosing one of the four taps, you can govern how much amplifier power is available for each loudspeaker. For example, if the 50W tap is selected, that particular loudspeaker will draw 50 watts of power when a 70V amplifier is run at its maximum level. A second loudspeaker might be connected to the same amplifier, but tapped at 100W (100 watts). In such case, the second loudspeaker will draw 100 watts from the same amplifier, making it 3dB louder than the first loudspeaker. A third loudspeaker might be tapped at 200 watts, which would make it 3dB louder than the second loudspeaker, and 6dB louder than the first.

By using the various taps, one can balance the relative sound levels in a system. A loudspeaker that is closer to audience members will need to be tapped at a lower wattage than one that is farther away, in order to produce similar output levels (of course, the amplifier must be capable of delivering output power that is at least equal to the sum of the taps).

As a guideline, every time you double the distance from a sound source, the level typically will drop by 6 dB, which is equivalent to one-fourth of the power. Although this is an acoustical law, and is true in a free space environment such as outdoors, the effect of room acoustics can radically change the actual results. Even outdoors, it is normally not possible to validate this acoustical law using a sound level meter, due to the ground plane effect.

70.7V AND 100V SYSTEMS

Several voltage standards have been put in place regarding so called 'constant voltage systems.' In the United States, 25V, 70.7V and 100V are common. Occasionally 140V systems can be found, usually in very large venues such as racetracks, where the need to overcome cable resistance by scaling the voltage upwards becomes extremely important, due to the very long cable lengths from the amplifiers to the loudspeakers. In Europe and Asia, most constant voltage systems use the 100V standard.

A W2 loudspeaker equipped with an optional autoformer supports both the 70.7V and 100V standards. The same physical conductors are used for both voltage standards, but the power level of each tap is different, depending on whether the voltage is 70.7V or 100V.

A 100V system will produce twice the power at a given tap, as that of a system that is operated at 70.7 volts. This can be verified by the simple Ohm's Law calculation $E^2/Z = W$, where E is the voltage applied, Z is the load impedance, and W is the power expressed in Watts. Assuming a load impedance of 50 ohms, we can see that $70.7 \times 70.7 / 50 = 99.97$ and that $100 \times 100 / 50 = 200$. Therefore, when scaling up from 70.7V to 100V the power will double; when scaling down, the power will halve.



CAUTION: Be sure to carefully observe polarity when wiring your loudspeakers. If one loudspeaker is wired with the opposite polarity from another loudspeaker, acoustic cancellation will occur. The result will be less power output than if only one loudspeaker were used by itself.

Wiring Diagrams for 70V/100V Operation

Figure 2 - Wiring Diagrams for W2-218T

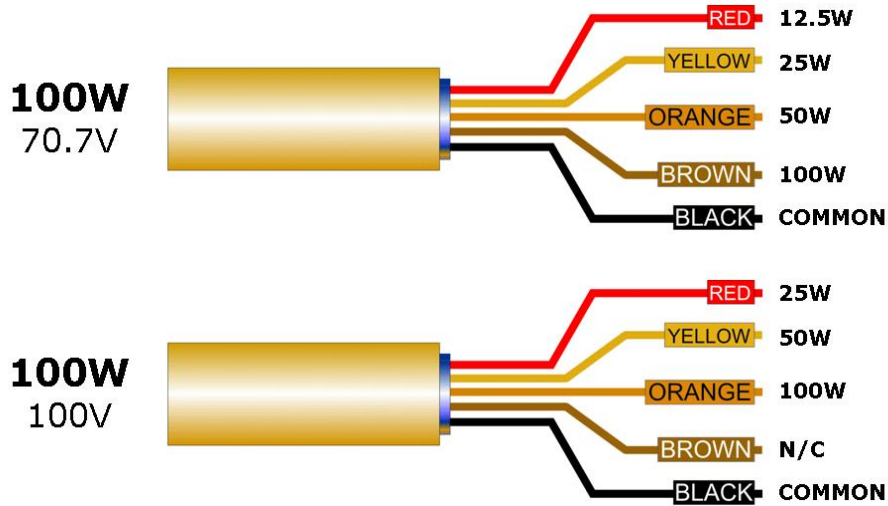
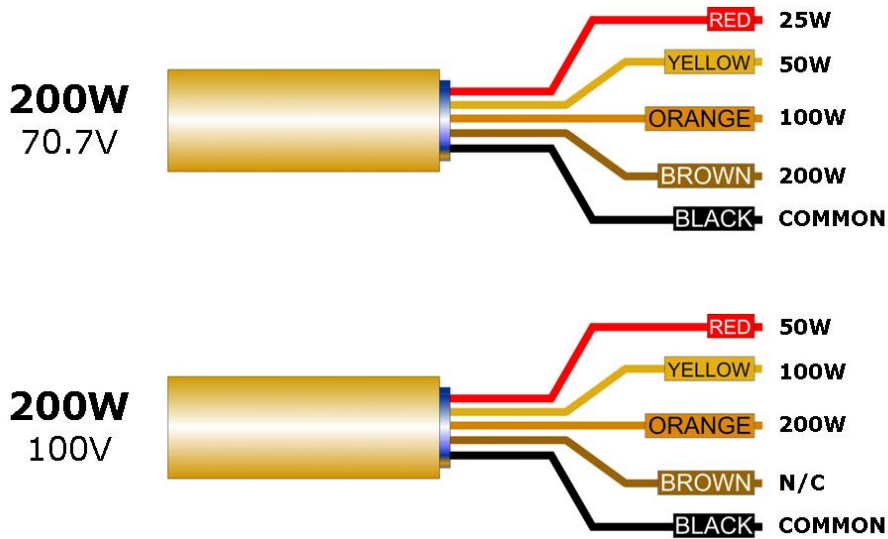


Figure 3 - Wiring Diagrams for W2-228T, W2-2W8T and W2-312-HT



SELECTING AMPLIFIERS

Amplifiers are a vital part of the sound system's performance and should be carefully selected for appropriate power output. A table is provided below to help you size your amplifier's power output capability to the various models in the W2 product line.

Typically, it is good practice to select an amplifier that can provide substantially more power than the continuous rating of the loudspeaker. This is so that enough reserve power will be available for transient peaks. More loudspeakers are damaged by under-powering them than by over-powering.

If you know in advance that a particular loudspeaker, or zone of loudspeakers will never be used at, or near their maximum rated power, then it is acceptable to select a power amplifier that is equal to, or slightly larger than the loudspeaker's power handling specification. We do not recommend operating W2 loudspeakers with an amplifier that does not at least meet the rated power handling of each model.

Model	Rated Power Handling	Recommended Amplifier Power
W2-218	125W RMS / 300W Program	250 - 375 WRMS at 8 Ω
W2-228	250W RMS / 600W Program	500 - 750 WRMS at 4 Ω
W2-2W8	250W RMS / 600W Program	500 - 750 WRMS at 8 Ω
W2-215	200W RMS / 500W Program	400 - 600 WRMS at 8 Ω
W2-312	200W RMS / 500W Program	400 - 600 WRMS at 4 Ω
W2-322L	LF: 400W RMS / 1000W Program MF/HF: 160W RMS / 400 W Program	Bi-amped LF: 800 - 1200 WRMS at 4 Ω MF/HF: 320 to 640 WRMS at 8 Ω
W2-315	200W RMS / 500W Program	400 - 600 WRMS at 4 Ω
W2-112	200W RMS / 500W Program	400 - 600 WRMS at 8 Ω
W2-122	400W RMS / 1000W Program	800 - 1200 WRMS at 4 Ω
W2-125	400W RMS / 1000W Program	800 - 1200 WRMS at 4 Ω

Note: "WRMS" = "Watts RMS" = "Watts Root Mean Squared"

AMPLIFIERS FOR 70V/100V OPERATION

In past times, nearly all 70V/100V amplifiers were of modest power level and employed step-up transformers to increase their output voltage to a fixed value of 70V (or 100V) at their maximum operating level. The purpose of stepping up the output voltage is largely to decrease the wire size needed for a given system, particularly when long wire runs are unavoidable. A basic rule of Ohm's Law is that the higher the voltage and the higher the load impedance, the less effect the cable resistance has on the absorption of power within the cable. A 70V/100V system achieves both of these desirable design goals.

A second important reason for constant voltage systems is that the use of a step-down transformer at each loudspeaker (or in the case of W2 products... a step-down autoformer) permits the installer to choose among several power taps at each individual loudspeaker location. This lets the installer adjust each loudspeaker's level in relation to the other loudspeakers, even though multiple loudspeakers are driven by the same amplifier on the same circuit. Without a transformer (or an autoformer), level adjustment could only be accomplished by adding resistance to one or more loudspeakers. Resistors would in fact reduce the operating level, but would also consume valuable power from the amplifier, as well as produce unnecessary heat as a byproduct.

AUTOFORMERS

Autoformers, or autotransformers as they are often called, perform similarly to transformers but with certain distinct advantages. First, they exhibit inherently lower distortion and lower insertion loss than an equivalent rated transformer. Second, they are less prone to magnetic core saturation than a transformer, providing better linearity under peak operating conditions. Lastly, they can be manufactured to a greater level of precision than that of a transformer at a similar or lower cost. For these reasons, W2 loudspeakers have been designed to use autoformers rather than transformers, when equipped for 70.7V/100V constant voltage applications.

Installation Considerations

Installing W2 loudspeakers is simple and straightforward. In most cases, they will simply be affixed to a wall or ceiling surface by means of the stainless steel yoke-style mounting bracket that accompanies the four smaller models, and is available as an optional accessory to the larger models. Always pay close attention to the type of fasteners used, the nature of the mounting surface(s), and the suitability of the mounting method.



CAUTION! If there is any doubt as to the structural integrity of the mounting surface(s) and/or the nature and use of the fasteners or other mounting materials, means, or method(s), consult a licensed professional engineer who can provide accurate information that will assure a safe and reliable installation. The potential for injury and/or death resulting from improper installation practices and/or inadequate materials is very high. Please read the section on Safe Rigging Practices for additional information, found elsewhere in this manual.

Note: When installing W2 loudspeakers, particularly the larger models, it is helpful to wear a pair of heavy-duty industrial grade rubber gloves. The glass surface material and the unique curved shape of the enclosures can otherwise be difficult to handle.

INSTALLING WITH YOKES

When attaching a yoke bracket to a W2 loudspeaker, always make sure to use the rubber washers (supplied). They are intended to be placed between the yoke and the loudspeaker enclosure. They provide a seal to inhibit the penetration of water into the enclosure, as well as increase the friction between the enclosure and the yoke assembly. The bolts should be fitted with a lock washer and a flat washer (supplied), and tightened to a torque of approximately 8 to 12 foot lbs. Be cautious, as overtightening can cause deformation or damage to the fiberglass enclosure. Use a torque wrench!



IMPORTANT! Make sure that all rigging and mounting fittings have bolts, lock washers, flat washers and rubber washers installed before completing the installation. No rigging or mounting fitting should be left open to the elements.

Rigging and Mounting W2 Enclosures

One of the most important tasks the installer faces is the rigging and mounting of the loudspeaker system. W2 loudspeakers have been designed with rigging and mounting in mind; thus, there are numerous ways to safely and easily install these loudspeakers in optimal locations in a venue.

SAFETY FIRST!

There is no way to overemphasize the importance of safety. But we will try. The kinetic energy of an 80 lb. loudspeaker enclosure dropping from 30 feet and contacting a concrete floor is enormous. The loudspeaker will be traveling at a speed of about 35 MPH at the time of impact. Imagine if you were seated under it. You might have a better chance of surviving a dynamite blast.

If you do not have knowledge of safe rigging practices and experience in applying them, contact a qualified rigging contractor to design and carry out the installation! Rigging that is improperly installed is like a time bomb; sooner or later it will fail, with the potential to cause serious injury, paralysis, dismemberment, or loss of life. Even if no one is directly in the line-of-fall of a failed suspension system, the panic that might ensue could in itself cause multiple deaths. Do not take chances!

RIGGING GUIDELINES

The following guidelines on rigging are not intended as a comprehensive rigging manual, nor are they meant to replace the knowledge of safe rigging practices that might be obtained from receiving professional training on the subject. These guidelines are intended only to provide basic safety information, and to call your attention to some commonly made mistakes. Books, seminars, and hands-on courses are available that teach safe rigging techniques; we highly recommend that you seek them out if you do not already possess the requisite knowledge and experience to perform rigging work safely.

DISCLAIMER: Community warrants that its loudspeaker systems and its optional mounting and rigging hardware have been carefully designed and tested. Community loudspeakers may be safely mounted and rigged when each loudspeaker model is installed with Community-manufactured optional mounting and rigging brackets specifically designed for use with that particular model of loudspeaker. This warranty applies only for use under normal environmental conditions,³ and when all loudspeakers, component parts, brackets and hardware are assembled and installed in strict accordance with Community's installation guidelines contained herein. Beyond this, Community assumes no further or extended responsibility or liability, in any way or by any means whatsoever. It is the responsibility of the installer to insure that safe installation practices are followed, and that such practices are in accordance with any and all local, state, federal, or other, codes, conditions, and regulations that may apply to, or govern the practice of, rigging, mounting, and construction work in the relevant geographic territory. Any modifications made to any parts or materials manufactured or supplied by Community shall immediately void all pledges of warranty or surety, related in any way to the safe use of those parts and materials.

Load Rated Components

All components of the rigging system such as wire rope, shackles, chain, eyebolts, etc., must be load rated. This means that they are marked or rated with a Safe Working Load (SWL) or Working Load Limit (WLL). All such items should be designed and manufactured by reputable companies that regularly supply the theatrical and industrial rigging industries, such as The Crosby Group, or equivalent. It is strongly recommended that you source your rigging items from an industrial supplier or specialty rigging house, never from a hardware store. Items found in local hardware stores are often poor copies of the original designs and may not be safe, as well as typically being more costly than items purchased from an industrial supplier. By planning ahead, you will not be in the uncomfortable position of having to delay the work if you can't locate a shackle or eyebolt at the last minute.

³ Normal Environmental Conditions are defined as the following: -15 to 55° C, no excessive or unusual air-borne contaminants or pollutants present, no chemicals or contaminants coming in direct contact with the product, no excessive vibration or wind loads.

Safety Factor

No component in a rigging system should be stressed to its maximum load rating. A suitable Safety Factor or Design Factor must be determined and applied, so that every component in the rigging system has reserve load capacity. The manufacturer's stated SWL or WLL is the quotient of the component's ultimate strength, or breaking point, divided by the manufacturer's stated safety factor. If the safety factor is not stated on the component or in the manufacturer's technical specification sheet, the component should not be used, as its ultimate strength is unknown.

In addition to the manufacturer's rated Safety Factor, the prudent installer will determine and apply an additional Safety Factor to insure that the suspension system is installed in a manner that cannot fail under the prevailing conditions.

Safety factors may be regulated by local, state, federal or international agencies and therefore may vary based on your geographic location. Safety factors typically assume normal environmental conditions; additional consideration must be given when unusual conditions are encountered, such as in corrosive marine environments (e.g. loudspeakers mounted on a cruise ship or in a venue located near sea water), or in conditions involving high-vibration, high wind-loads, or other unusual conditions. A common safety factor is a 6:1 ratio; however many theatrical rigging companies voluntarily work at a 7:1 ratio or higher. A 10:1 ratio is required in most countries that are members of the European Union. At 10:1, this means that a component rated at 10,000 lbs of ultimate strength should never be subjected to a load greater than 1,000 lbs. The de-rated value of 1,000 lbs should take into account the additional force of dynamic loading, such as when a motorized hoist starts and stops. Such dynamic loading can easily exceed 200% of the static load and is dependent on the hoist design, how close to capacity it is loaded, the length of the cable or chain, and the elasticity of the supporting structure.

Seismic Considerations

Seismic events (earthquakes) can cause great dynamic loading of a rigging system. In the case of strong quakes, which occur regularly in some regions, a rigged system may merely sway back and forth with no damage, or it may be subjected to many times its static load rating, particularly in the case of unequal loading of a multi-part suspension system due to uneven roof or beam movement. It is also possible that one loudspeaker rig may contact another rig or a lighting truss, during the quake. The results cannot be predicted because seismic events occur with differing forms of wave motion at varying axes to the suspended system. An earthquake might produce long, rolling waves in one axis then later, an aftershock on the same day could produce short, violent waves in another axis.

Aging of Components

Over time, rigging components will degrade causing them to lose some, or even much, of their load capacity. Factors include strain, oxidation, exposure to corrosive or acidic atmospheric conditions, exposure to water and chemicals, exposure to UV light, and metal fatigue. In consideration of long-term durability, a high safety factor should always be chosen, particularly when future conditions cannot be clearly foreseen (which is usually the case).

Safety Cable

Safety cables must be sized appropriately for the loads they will carry, and should be attached to a different point or points on the wall, ceiling, truss, frame, bumper, or other, than that of the primary suspension system, as well as to a different point or points on the objects that are suspended.

Threaded Fasteners

Threaded fasteners are often used in rigging and mounting systems. As with eyebolts, many of Community's optional mounting brackets, yokes, and rigging plates utilize threaded fasteners. The fasteners that come with each Community rigging kit are load rated to a sufficient strength to be safe when used within their specified parameters. If replacement bolts are needed, or if additional bolts are required for mounting a bracket to a

beam, wall, or ceiling etc., such bolts should be purchased from a reputable manufacturer with a minimum Grade 5 rating. On hex-head bolts, this can be readily identified by looking at the head. A Grade 5 bolt will be marked with three lines; a Grade 8 bolt, which is even stronger, with six lines. Allen drive fasteners are often made of high-strength steel (Grade 5 or better) if they are purchased from an industrial supplier. As with any other rigging component, check the rating on the box or the manufacturer's specification sheet to be sure.

Support Points & General Practices

A vital part of planning the mounting or suspension system is to first determine the strength of the building's support points. Nothing should be assumed, even for the lightest loads. A ten pound loudspeaker falling from ten feet can maim or kill just as readily as a heavy loudspeaker array falling from thirty feet. The services of a registered structural or professional engineer should be employed to determine if the materials and design of the supporting structure are adequate to support the intended load, and how to best install mounting brackets or derive suspension points.

Fasteners

As a general rule, lag bolts driven into wooden beams should be avoided whenever possible, as they can pull out as the wood ages or swells due to changes in temperature and humidity. Safe riggers will instead utilize machine bolts of Grade 5 ratings or higher, rated beam clamps, brackets fabricated and welded by certified welders, wire rope wrapped around beams with cushioning materials, and so on.

Certain wooden beams, or trusses, made of many laminations (often called Glue Lams) are intolerant of holes. These beams are commonly used in modern construction, particularly in tilt-up concrete industrial buildings. Drilling a hole through such beams can set up internal fractures, resulting in total failure of the beam. Alternatives to drilling include fabricating steel brackets to surround the beam, or wrapping the beam with a steel sling and fabric cushions, to derive a hang point.

Concrete expansion bolts, such as Hilti Kwik-bolts or equivalent, can provide an excellent means of attaching moderate loads to concrete surfaces. However, as they rely on an expanding wedge to obtain their strength, they must always be used in strict accordance with the manufacturer's instructions. Such instructions specify the diameter and depth of the hole, the composition of the concrete, permissible spacing of the anchors, and the torque of the bolts. As a general rule, they should only be used for sheer loads, not tension loads.

Liability

When you install a loudspeaker that is mounted or suspended over people's heads, it is your responsibility and yours alone to insure that the installation is performed in a safe manner. Never take the word of someone who tells you, "That beam is safe to drill into," or "This point can handle the load," or "I'll take responsibility if anything happens." To paraphrase Harry Donovan from his excellent book on safe rigging practices entitled Entertainment Rigging, 'How is it going to sound to the jury at your manslaughter trial when you use such statements by others as your defense?'

Never do anything you are not 100% sure is safe. If a manufactured product looks poorly designed and built, it probably is poorly designed and built. If you are not absolutely sure where the wire rope came from or how strong it is, don't touch it. If the bolt looks too flimsy to hold the load, it probably is too flimsy. Always use your best judgment, just as you do when driving at high speeds in traffic. The life you save may be your own, or that of your friend or colleague.

W2 MOUNTING YOKES AND MOUNTING KITS

W2-218, W2-228 AND W2-2W8 YOKE ASSEMBLY

The compact W2-218, W2-228 and W2-2W8 loudspeakers include a yoke mounting bracket, constructed of 304 stainless steel finished in black or white with Community's proprietary dual-layer powder coating process. The yoke bracket is fitted with a series of mounting holes that allow the installer to vary the distance from the enclosure to the mounting surface in order to suit the requirements of the installation. It is engineered to provide a high margin of safety when supporting the appropriate loudspeaker.

All hardware required to attach the mounting yoke to the loudspeaker enclosure is included. No additional hardware is provided to attach the yoke bracket to the mounting surface. Such hardware must be supplied by the installer and should be sized and rated for the weight load of the enclosure, keeping in mind that additional torque load may occur when focusing the loudspeaker within the yoke assembly. The installer is solely responsible for determining if the mounting surface is capable of safely supporting the weight load of the loudspeaker and bracket, and for selecting appropriate hardware to install it.



DANGER: All rigging fittings must be fitted with either optional mounting hardware or they must remain sealed with the fasteners that come installed in the enclosure. These fasteners attach to internal steel rigging brackets, thereby providing structural integrity. Without these fasteners, the structural integrity of the enclosure would rely solely on the enclosure material and bonded joints, which over time could deteriorate. Therefore, all rigging fittings must have fasteners in place so that the enclosure may be safely 'flown' or suspended overhead.

Additionally, if the rigging fittings are not sealed, air leaks will occur in the enclosure that will compromise the low frequency performance with distortion and reduced output.



WARNING: W2 loudspeaker rigging fittings are rated at a Working Load Limit of 150 lbs (68 kg) with a 15:1 safety margin. No single rigging fitting should ever be subjected to a load that is greater than 150 lbs. Failure to heed this warning could result in injury or death!

Figure 4 - W2-218 Yoke Dimensions

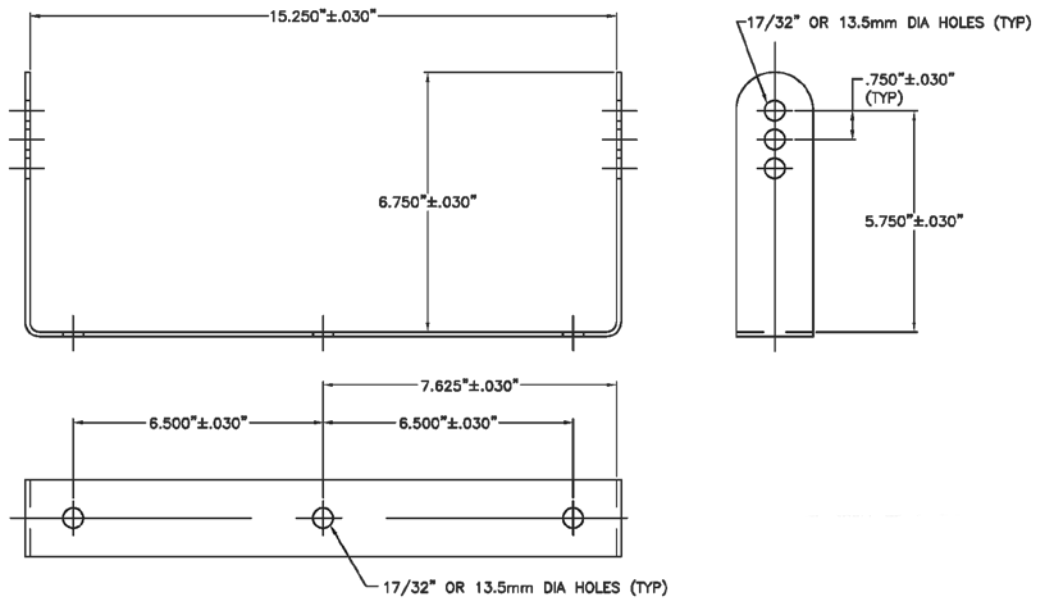


Figure 5 - W2-218 Yoke Assembly

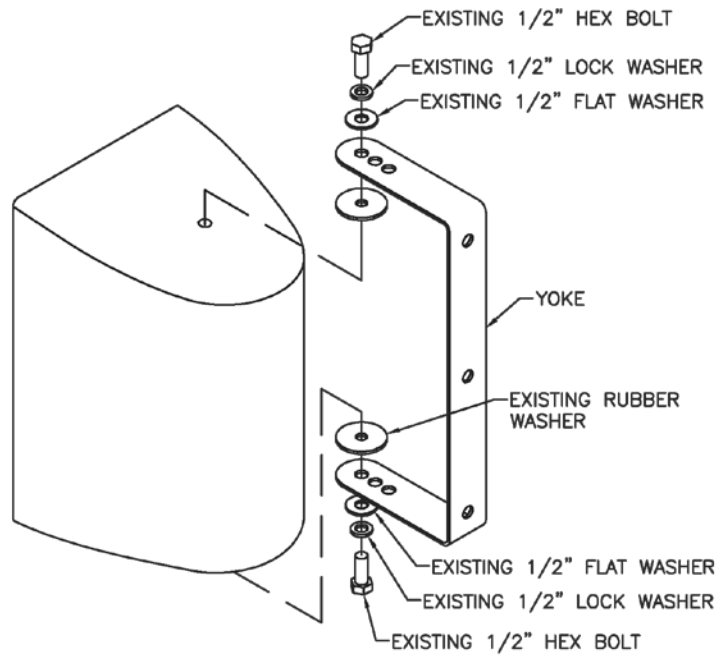


Figure 6 - W2-228 and W2-2W8 Yoke Dimensions

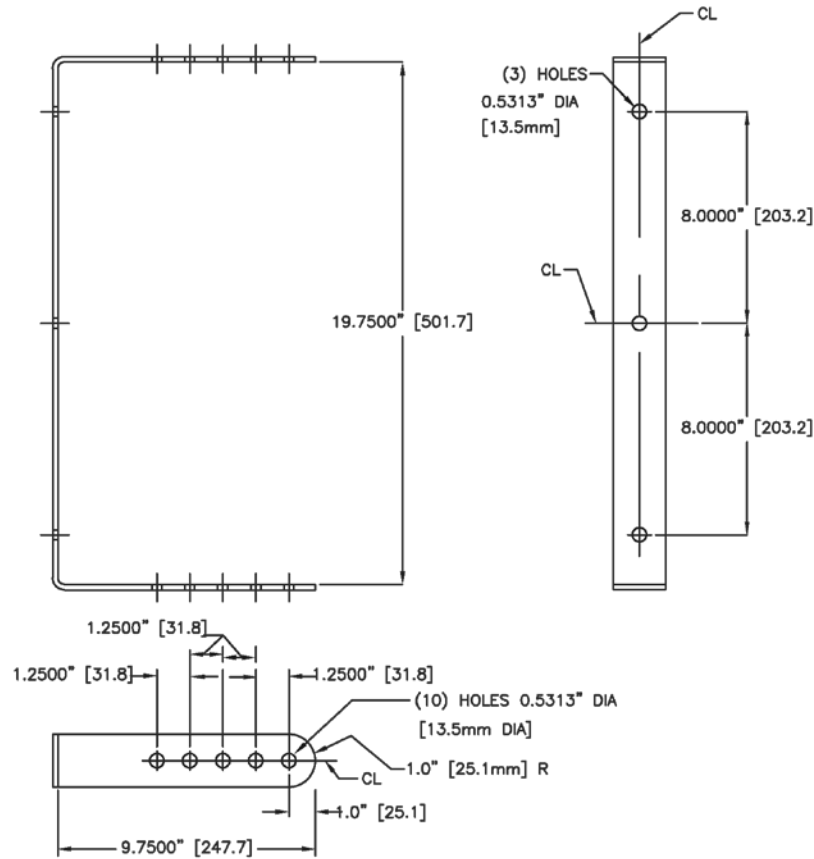
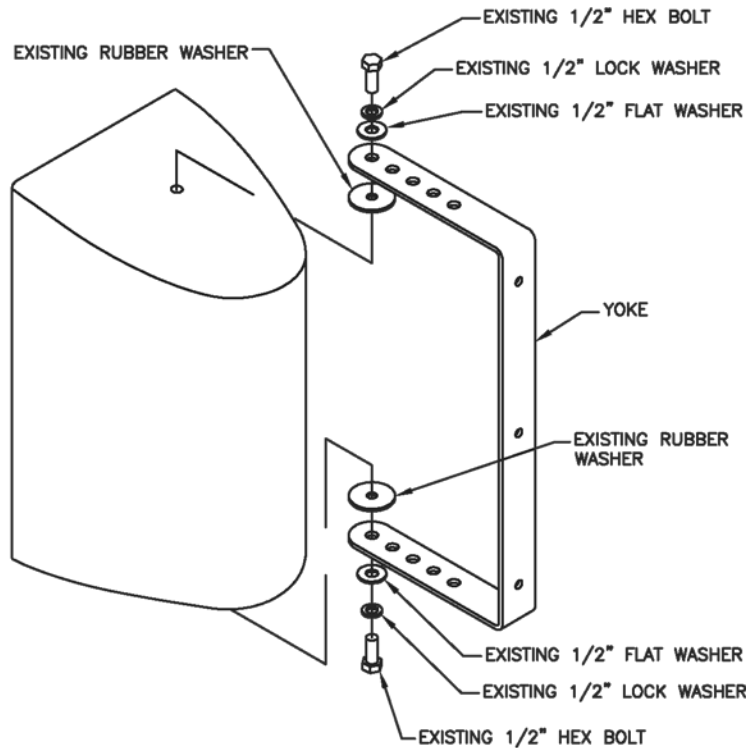


Figure 7 - W2-228 and W2-2W8 Yoke Assembly



SSY25KIT Mounting Kit for W2-112 and W2-312

An optional mounting bracket kit (model SSY25KIT) is available for the W2-112 and W2-312 loudspeakers. It is sold separately. The SSY25KIT is designed to mount a W2-112 or W2-312 loudspeaker in either a vertical or horizontal orientation, providing precise acoustic focusing. The SSY25KIT consists of a yoke mounting bracket and two adapter plates, constructed of powder-coated stainless steel.

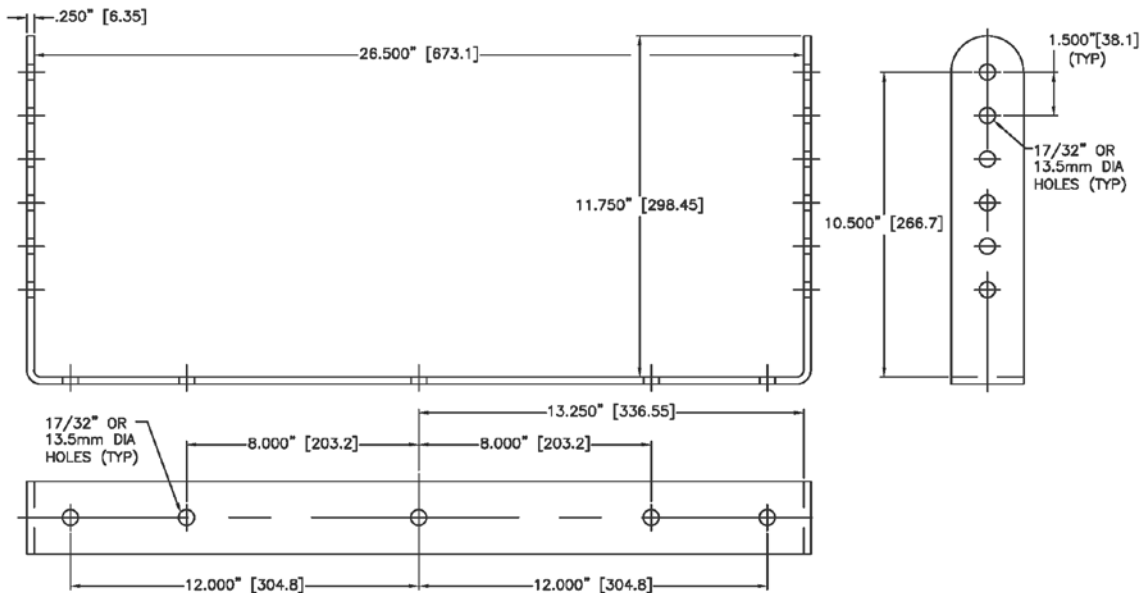
The yoke bracket is fitted with a series of mounting holes that allow the installer to vary the distance from the enclosure to the mounting surface in order to suit the requirements of the installation. It is engineered to provide a high margin of safety when supporting a W2-112 or W2-312 loudspeaker.

All hardware required to attach the SSY25KIT to the loudspeaker enclosure is included in the kit. No additional hardware is provided to attach the yoke bracket to the mounting surface. Such hardware must be supplied by the installer and should be sized and rated for the weight load of the enclosure, keeping in mind that additional torque load may occur when focusing the loudspeaker within the yoke assembly. The installer is solely responsible for determining if the mounting surface is capable of safely supporting the weight load of the loudspeaker and bracket, and for selecting appropriate hardware to install it.

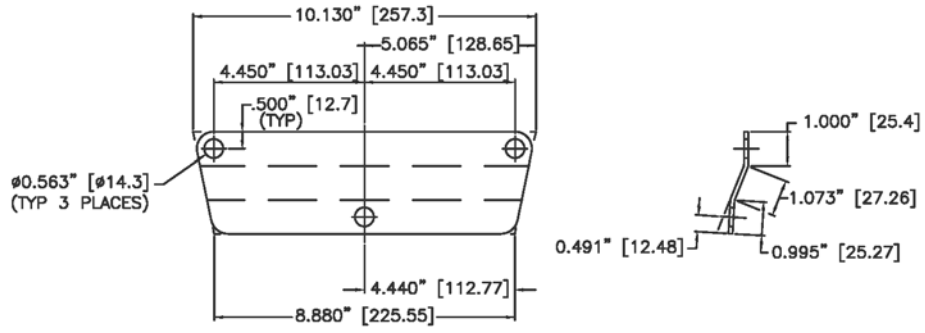
⚠ DANGER: All rigging fittings must be fitted with either optional mounting hardware or they must remain sealed with the fasteners that come installed in the enclosure. These fasteners attach to internal steel rigging brackets, thereby providing structural integrity. Without these fasteners, the structural integrity of the enclosure would rely solely on the enclosure material and bonded joints, which over time could deteriorate. Therefore, all rigging fittings must have fasteners in place so that the enclosure may be safely 'flown' or suspended overhead.

⚠ Additionally, if the rigging fittings are not sealed, air leaks will occur in the enclosure that will compromise t

Figure 8 - SSY25KIT Dimensions

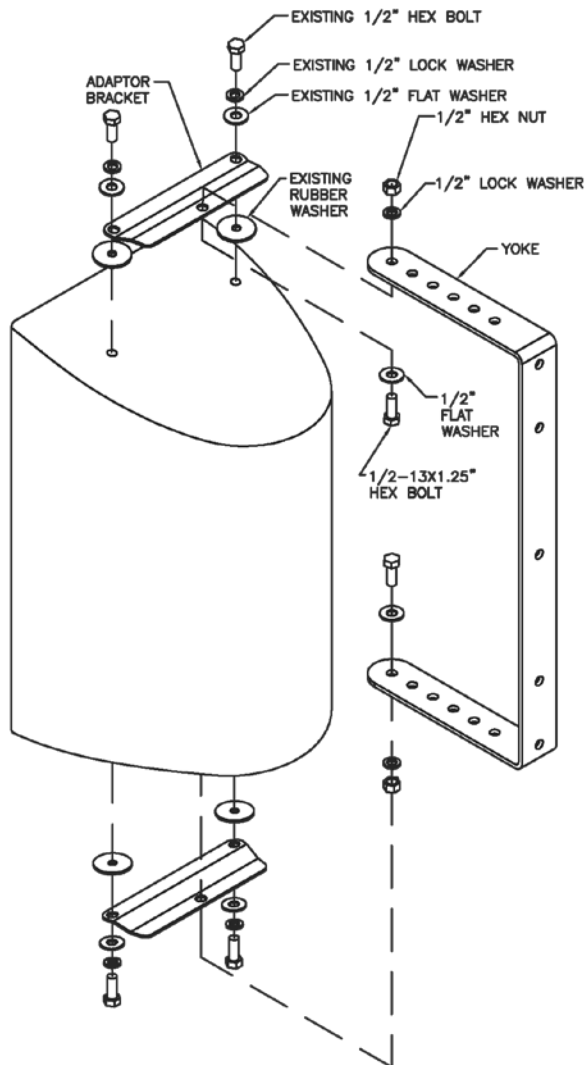


SSY25KIT Yoke Bracket



SSY25KIT Adapter Plate

Figure 9 - SSY25KIT Assembly



SSY25KIT ASSEMBLY INSTRUCTIONS

1. First, remove the two ½" hex head bolts located towards the front of the enclosure on both of the two end panels (four total).
2. Next, attach one adapter plate to each end panel of the enclosure using the two ½-13 hex head bolts fitted with lock washers and flat washers. Make sure to install a large rubber washer between the adapter plate and the enclosure. Tighten these bolts to 15 foot-lbs using a torque wrench. Do not over tighten!
3. Now, attach the yoke to the mounting surface. No hardware is provided for this purpose. Such hardware must be supplied by the installer, and should be rated for the weight load of the enclosure. The installer is solely responsible for determining if the hardware used to mount the yoke is adequately sized and rated, and if the structure it is attached to is capable of safely supporting the weight load of the enclosure and bracket.
4. After attaching the yoke to the mounting surface, next attach the yoke to the two adapter plates on the loudspeaker enclosure using the two ½"-13 x 1.25" hex head bolts provided. Fit each hex head bolt with a flat washer and lock washer. Tighten the fasteners until snug. After focusing the loudspeaker in the desired position, the bolts should be tightened to a torque of 12 to 15 foot-lbs, using a torque wrench. Do not over tighten!

Note that a series of holes are provided in the yoke bracket, allowing the enclosure to be positioned at varying distances from the mounting surface. The closer the yoke is to the rear of the enclosure, the neater the installation will look; the farther away the rear of the enclosure is from the yoke, the greater the available range of motion will be.



CAUTION: Installation of loudspeakers should only be performed by trained and qualified personnel. It is strongly recommended that a licensed and certified professional structural engineer approve the mounting design.

Maintaining Weather Resistance

There are several things that must be observed when installing a W2 loudspeaker in order to maintain its weather-resistant integrity for outdoor use.

1. Always orient the loudspeaker so the mouth of the horn is, at a minimum, pointing at least 15 degrees downward. Failure to do this could result in water collecting inside the enclosure under extreme weather conditions.
2. When handling a W2, be careful not to scratch or scrape the finish on the grille or enclosure.
3. All mounting holes must be sealed off with the stainless steel bolts, washers, and rubber washers supplied. If, for any reason, these bolts must be removed, seal off the hole with silicone caulking or some other suitable weather-tight sealant.
4. The rubber washers supplied with the mounting bolts must always seat against the enclosure.
5. The gland-nut securing the loudspeaker cable to the enclosure is sealed at the factory. Do not attempt to remove this nut or the weather-tight seal will be broken. If it is desired to replace the gland-nut with a jack, the jack must be a weatherproof design. It must be suitably sealed to the enclosure with silicone caulk or some other suitable weather-tight sealant.
6. The grille assembly is designed to prevent normal and wind-driven rain from directly entering the mouth of the loudspeaker. The grille is not designed to withstand such things as being directly sprayed from a hose; therefore this should be avoided.
7. If you use any hardware in place of the stainless steel screws, bolts, nuts and washers supplied, it should also be made of stainless steel.



CAUTION: If the above instructions are not observed, the weather-resistant integrity of a W2 enclosure can be compromised. This can result in damage to or failure of the hardware or internal components.

Servicing W2 Loudspeakers

Servicing a W2 loudspeaker is straightforward and easy. All drivers and crossover assemblies are serviceable by removing the screws that attach the protective grille to the front of the enclosure. There are no other user-serviceable parts.

REPLACEMENT PARTS

Replacement parts may be ordered through your local authorized dealer or directly from Community. Outside the United States, please contact your authorized Community distributor.

Troubleshooting Guide

Should you have a problem with your W2 loudspeaker(s), find the symptom and follow the associated "What To Do" instructions below. Be aware that a particular symptom may have several possible causes.

SYMPTOM	PROBABLE CAUSE	WHAT TO DO
High distortion, low output, or no output from any or all drivers.	Faulty connection to the loudspeaker. Possible solder joint failure on crossover card.	Using an ohmmeter, check the continuity of the wiring to the loudspeaker. If the wiring is OK, remove the input panel and check all solder joints on the crossover and the wiring to the drivers. Visually inspect solder joints as cold joints may only malfunction under high current. Repair as needed.
Distortion from the loudspeaker at higher volume levels.	Too little amplifier power.	If the power rating of the amplifier is too low, it will clip at higher volume levels. Reduce the volume level or use a more powerful amplifier.
Distortion from the loudspeaker at moderate to high volume levels.	Driver is malfunctioning.	Using a sine wave oscillator or wide range program at moderate levels, listen to each driver to isolate the problem. Replace as needed.
Low or no output from the low frequency driver.	Low frequency driver, crossover, or amplifier is malfunctioning.	Test and replace as needed.
Low or no output from the mid and high frequency drivers.	Mid frequency driver, crossover, or amplifier is malfunctioning.	Test and replace as needed.
Low or no output from the high-frequency driver.	High frequency driver, crossover, or amplifier is malfunctioning.	Test and replace as needed.
Low volume level.	System gain is too low.	Check to make sure that the audio signal to the amplifier is high enough to drive it properly. Check all volume/level controls and gain switches in the system including the amplifier input attenuator.
Low volume level.	Signal or speaker wire connection is shorted.	Make sure the signal and input wire connections inside all system connectors are not shorted or open. Even one small wire strand shorting the +/- signal terminals together anywhere in the system can cause this problem.
No sound.	Amplifier is not on or loudspeaker is disconnected.	Check that amplifier is turned on and that loudspeaker is properly connected to the amplifier.
No sound or very low volume.	No audio signal.	Check that all the audio equipment in the signal chain is powered on and that all gain controls are in the proper position.
Noises from the loudspeaker (buzzes or rattles).	Grille or hardware is loose.	Make sure the front grille screws are securely seated and that any external mounting hardware is tightened or secured from vibrating.
Noises from the loudspeaker (buzzes or rattles).	Driver is malfunctioning.	Using a sine wave oscillator or wide range program at moderate levels, listen to each driver to isolate the problem. Replace as needed.
Poor low frequency response when used with other units.	Incorrect polarity connections.	Check the polarity to all units. Verify that polarity is correct (+ and - amplifier outputs go to + and - on loudspeaker). Incorrect polarity will result in low frequency cancellation.
Sound cuts in and out.	Bad connection.	Check all connections and cabling for shorts or loose connections. Even one small wire strand shorting the +/- signal terminals anywhere in the system can cause this problem.

Summing Things Up

W2 loudspeakers and accessories are intelligently designed to provide you with a wealth of solutions for common and not-so-common sound reinforcement problems. These great-looking and superb-sounding building blocks can be utilized in an enormous variety of ways. By giving careful consideration to your application needs, and taking the time to properly position, focus, adjust, and equalize the installation, your W2 system will provide years of quality service. If questions or special needs arise at any time, the folks at Community will be happy to offer experienced technical advice to assist you.

Warranty Information and Service

TRANSFERABLE WARRANTY "(LIMITED) – VALID IN THE USA ONLY

For a copy of the complete warranty statement, visit www.communitypro.com/warranty

Community loudspeaker systems are warranted in the USA to be free from defects in materials and workmanship for a period of five years, as determined by one of the following two methods, whichever is longer:

1. Starting from the date of retail purchase, as noted on the sales receipt from an authorized Community dealer,

OR

2. Starting from the date of manufacture, determined by the serial number, if the sales receipt is not available.

This warranty applies to the product; therefore, the remainder of the warranty period will be automatically transferred to any subsequent owner.

This warranty applies only to failure of a Community loudspeaker caused by defects in materials and workmanship during the stated warranty period. It does not apply to a unit that has been subjected to abuse, accident, modification, improper handling/installation, or repairs made without factory authorization or by anyone other than authorized Community Field Service Stations. This warranty is void if the serial number has been defaced, altered or removed.

Products covered by this warranty will be repaired or replaced at the option of Community, without charge for materials or labor, provided all the terms of this warranty have been met.

OBTAINING WARRANTY SERVICE

Warranty service may be obtained from the factory, or from an authorized Field Service Station. For complete warranty information, visit the website at www.communitypro.com/warranty.

To obtain factory or field warranty service for products purchased in the United States, return the product for inspection to the address below, freight prepaid, in the original packaging. If the original packaging is not available, call or write Community Warranty Service to obtain proper packaging materials or hand carry the product to the nearest Field Service Station.

Factory Service Center:

Community Warranty Service
333 East Fifth Street
Chester, PA 19013-4511 USA

Field Service Station:

Call (610) 876-3400 for the nearest Authorized Field Service Station

For factory service, please call (610) 876-3400 for a Return Authorization (R/A) number before shipping. The following information must be included in the package:

- Owner's complete name, daytime phone number, return street address and return authorization number.
- The serial number of the product being returned and a copy of the retail sales receipt, if possible.
- A complete description of the problem(s) experienced, including a brief description of how the equipment is being used and with what brand, model and output power of amplifier.

Upon receipt, the service center will determine if the problem is covered under warranty. If covered under this warranty, the product will be repaired or replaced, at Community's option, and returned to the owner freight prepaid. If the problem is not covered under this warranty, the owner will be notified of the problem with an estimate of the repair costs.

Consequential and Incidental Damages: Community shall not be liable for any consequential or incidental damages including, without limitation, injury to persons, property, or loss of use. Some states do not allow the exclusion or limitations of consequential or incidental damages, so the above limitations and exclusions may not apply.

This Community warranty is not extended by the length of time which an owner is deprived of the use of the product. Repairs and replacement parts provided under the terms of this warranty shall carry only the remaining portion of the warranty.

Community reserves the right to change the design of any product from time to time, without notice and with no obligation to make corresponding changes in products previously manufactured.

While this warranty gives specific legal rights, there may also be other rights that vary from state to state. No action to enforce this warranty shall be permitted ninety days after expiration of the warranty period.

WARRANTY INFORMATION AND SERVICE FOR COUNTRIES OTHER THAN THE USA

To obtain specific warranty information, visit the website at www.communitypro.com/warranty. To obtain specific warranty information and available service locations for countries other than the United States of America, contact the authorized Community Distributor for your specific country or region.

Notes



Community Professional Loudspeakers
333 East Fifth Street, Chester, PA 19013-4511 USA
Phone: (610) 876-3400 | Fax: (610) 874-0190
www.communitypro.com

© 2017 All Rights Reserved

#110089 24OCT2017